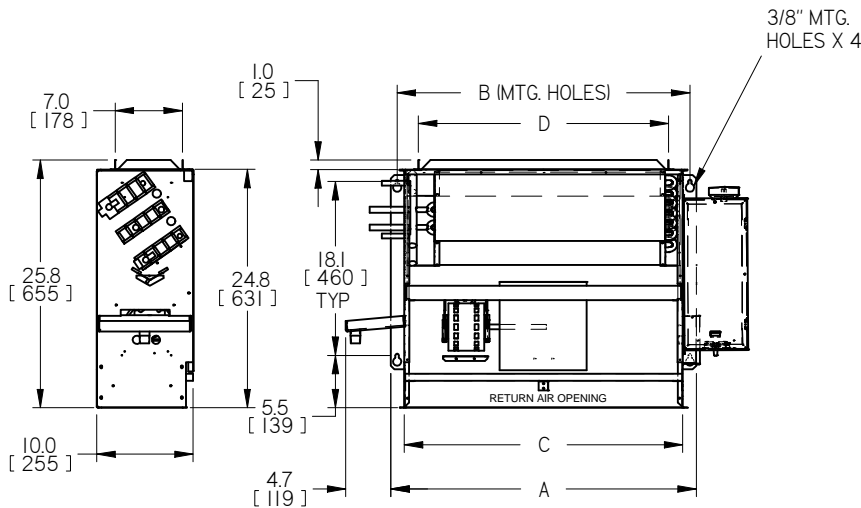
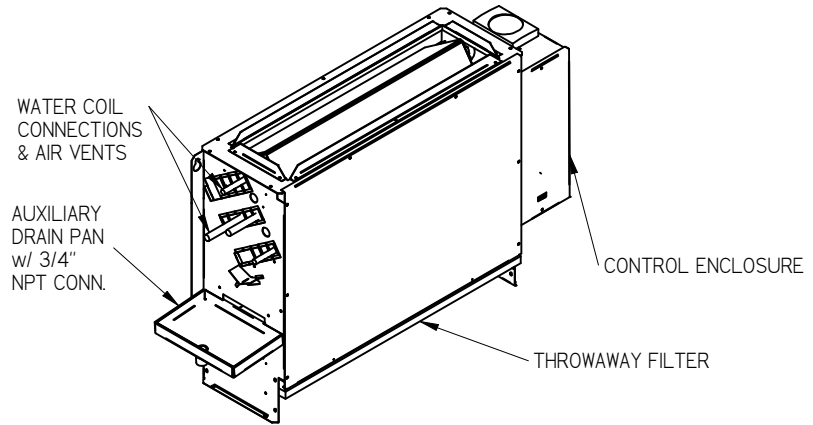


SIZE	NOMINAL		A in. (mm)	B in. (mm)	C in. (mm)	D in. (mm)	BLOWERS
	CFM	l/s					
02	200	94	24.0 (610)	22.5 (572)	21.0 (534)	18.0 (457)	1
03	300	142	32.0 (813)	30.5 (775)	29.0 (737)	26.0 (660)	1
04	400	189	32.0 (813)	30.5 (775)	29.0 (737)	26.0 (660)	2
06	600	283	43.0 (1093)	41.5 (1055)	40.0 (1016)	37.0 (940)	2
08	800	378	48.0 (1220)	46.5 (1182)	45.0 (1143)	42.0 (1067)	2
10	1000	472	58.0 (1474)	56.5 (1436)	55.0 (1397)	52.0 (1321)	4
12	1200	566	68.0 (1728)	66.5 (1690)	65.0 (1651)	62.0 (1575)	4



STANDARD CONSTRUCTION:

- 20ga. GALVANIZED STEEL CASING
- GALVANIZED HARDWARE
- PSC ELECTRIC MOTORS WITH 3 SPEEDS
- COILS - 1/2" O.D. COPPER TUBES, ALUMINUM SINE WAVE FINS, MANUAL AIR VENTS & 5/8" OD CONNECTIONS
- COOLING COIL EQUIPPED WITH GALVANIZED STEEL DRAIN PAN EXTERNALLY INSULATED WITH FOAM
- 3/4" NPT DRAIN CONNECTION
- 1" MERV 3 THROWAWAY FILTER WITH FIBERGLASS MESH MEDIA
- INTERNAL INSULATION - FIBERGLASS 1/2" THICK



LH CONFIGURATION SHOWN
HANDING DETERMINED BY LOOKING AT INLET

OPTIONS:

- STAINLESS STEEL DRAIN PAN
- SECONDARY DRAIN
- DISCONNECT SWITCH
- MOTOR FUSE
- 1" MERV 8 PLEATED FILTER
- 1" MERV 13 PLEATED FILTER
- FF50 (FIBERFREE), LINER 1/2" THICK
- FB FOIL FACED FIBERGLASS LINER 5/8" THICK

2 PIPE SYSTEM

- 1 - ROW 2 - ROW 3 - ROW
- 4 - ROW

4 PIPE SYSTEM

- W/ REHEAT (COOLING/HEATING)
- 2/1 - ROW 2/2 - ROW
 - 3/1 - ROW 3/2 - ROW 4/1 - ROW

ALL METRIC DIMENSIONS () ARE SOFT CONVERTED. IMPERIAL DIMENSIONS ARE CONVERTED TO METRIC AND ROUNDED TO THE NEAREST MILLIMETER.

PROJECT:		<p>FAN COIL FCVC CONCEALED UNIT SIZE 02-12</p>
ENGINEER:		
CUSTOMER:		
SUBMITTAL DATE:	SPEC. SYMBOL:	
		<p>258864</p> <p>MAY 2015</p>

MOTOR(S):

STANDARD
115V/60Hz/1ph

PSC MOTOR FLA

UNIT SIZE	MOTOR H.P.	115V	208V	240V	277V
02	1/30	0.70	0.50	0.50	0.50
03	1/30	0.70	0.50	0.50	0.50
04	1/10	1.80	0.70	0.70	0.64
06	1/10	1.80	0.70	0.70	0.64
08	1/10	1.80	0.70	0.70	0.64
10	1/10 (x2)	3.28	1.40	1.40	1.28
12	1/10 (x2)	3.28	1.40	1.40	1.28

ECM MOTOR FLA



UNIT SIZE	MOTOR H.P.	115V	208V	240V	277V
02	1/8	1.40	0.68	0.68	0.58
03	1/8	1.25	0.65	0.65	0.56
04	1/8	2.00	0.99	0.99	0.77
06	1/8	2.20	1.08	1.08	0.89
08	1/4	2.20	1.54	1.54	0.95
10	1/8 (x2)	3.80	1.90	1.90	1.56
12	1/4 (x2)	4.30	2.25	2.25	1.94

OPTIONAL VOLTAGES:

- 208V/60Hz/1ph
- 230V/60Hz/1ph
- 277V/60Hz/1ph

NOTE:
TOTAL UNIT AMPS SHOWN
ARE BASED ON MOTOR
SPECIFICATIONS. ACTUAL
PERFORMANCE WILL VARY
WITH THE APPLICATION

ALL METRIC DIMENSIONS () ARE SOFT CONVERTED. IMPERIAL DIMENSIONS ARE CONVERTED TO METRIC AND ROUNDED TO THE NEAREST MILLIMETER.

PROJECT:		
ENGINEER:		
CUSTOMER:		
SUBMITTAL DATE:		258864
SPEC. SYMBOL:		MAY 2015
FAN COIL FCVC CONCEALED UNIT SIZE 02-12		